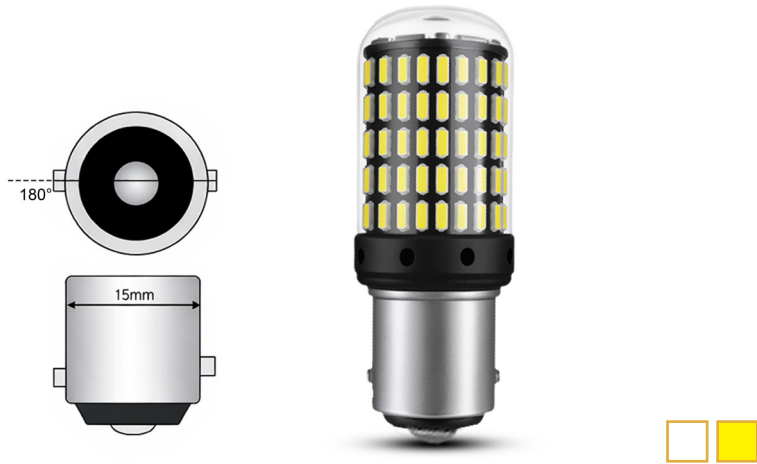


LED SIGNAL LAMP

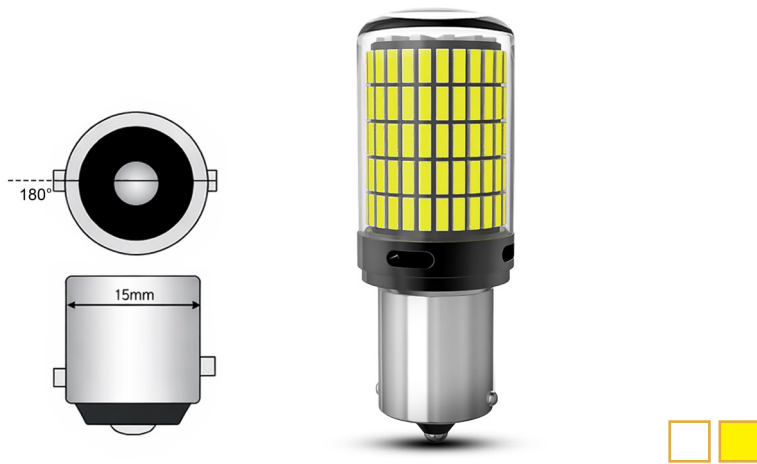
Lampu LED Signal Lamp tersedia dalam varian BA15S, BAU15S, 7440, 7443, 1157 yang digunakan untuk lampu mundur, sein, dan rem

1156 BA15S 144-SMD 3014



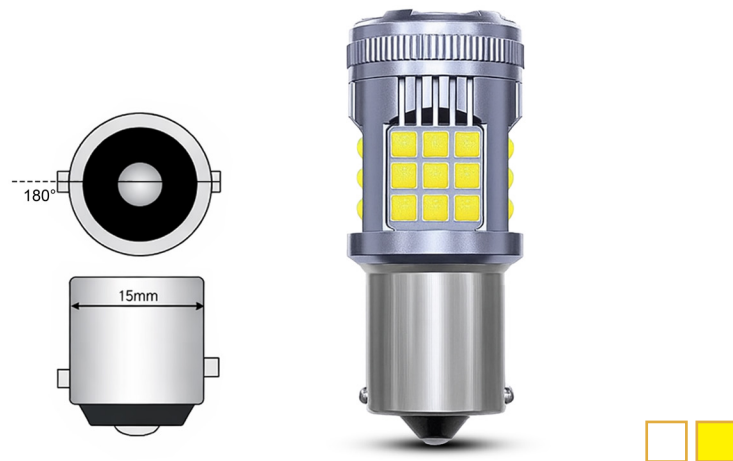
Volt	DC 12-24V	Function	Signal Lamp, Reverse Lamp
Power	21W	Size	∅ 20 mm x 57 mm
Ampere	1.75A	Body	Alluminium ; Glass
Chip	SMD-3014	CANbus	YES

1156 BA15S 150-SMD 4014



Volt	DC 12-36V	Function	Signal Lamp, Reverse Lamp
Power	23W	Size	∅ 20 mm x 57 mm
Ampere	1.91A	Body	Alluminium ; Glass
Chip	SMD-4014	CANbus	YES

1156 BA15S 36-SMD 3030G FAN



Volt	DC 12-30V	Function	Signal Lamp, Reverse Lamp
Power	32W	Size	∅ 20 mm x 51 mm
Ampere	2.67A	Body	Alluminium ; Fan
Chip	SMD-3030G	CANbus	Yes

1156 BA15S 6-CSP 1860 FAN

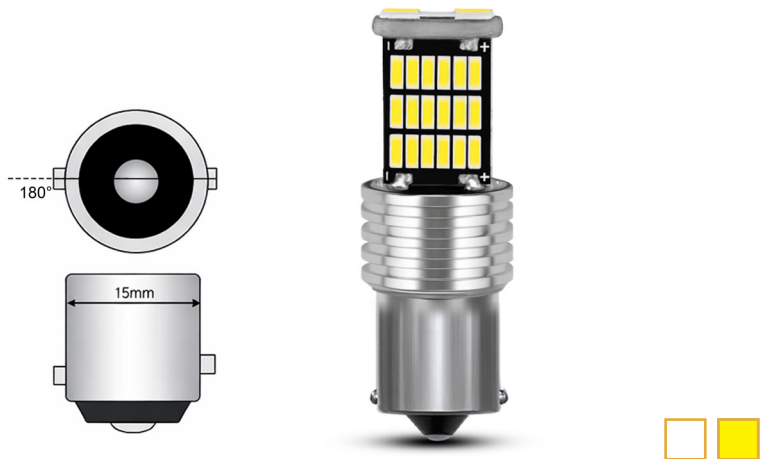


Volt	DC 12-24V	Function	Signal Lamp, Reverse Lamp
Power	27W	Size	∅ 21 mm x 51 mm
Ampere	2.25A	Body	Alluminium ; Fan
Chip	CSP-1860	CANbus	Yes

LED SIGNAL LAMP

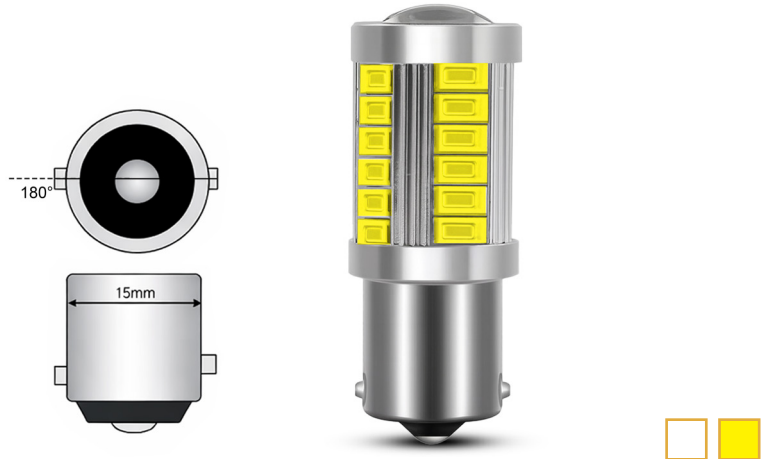
Lampu LED Signal Lamp tersedia dalam varian BA15S, BAU15S, 7440, 7443, 1157 yang digunakan untuk lampu mundur, sein, dan rem

1156 BA15S 45-SMD 4014



Volt	DC 12-24V	Function	Signal Lamp, Reverse Lamp
Power	5W	Size	∅ 18 mm x 52 mm
Ampere	0.42A	Body	Alluminium
Chip	SMD-4014	CANbus	No

1156 BA15S 33-SMD 5630

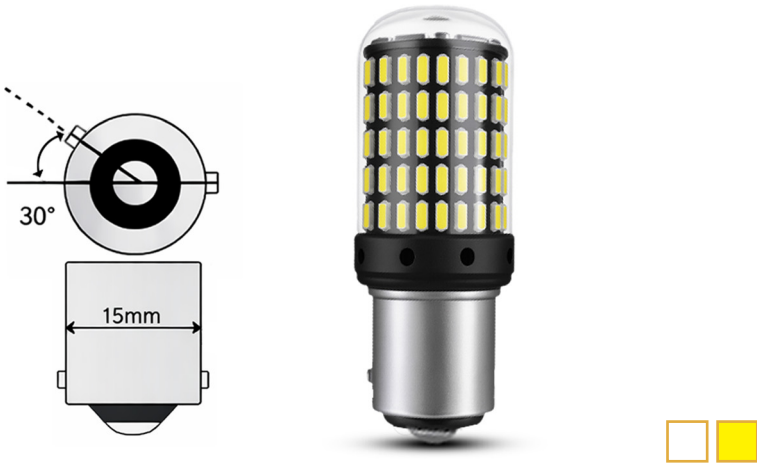


Volt	DC 12V	Function	Signal Lamp, Reverse Lamp
Power	3W	Size	∅ 18 mm x 52 mm
Ampere	0.25A	Body	Alluminium
Chip	SMD-5630	CANbus	No

LED SIGNAL LAMP

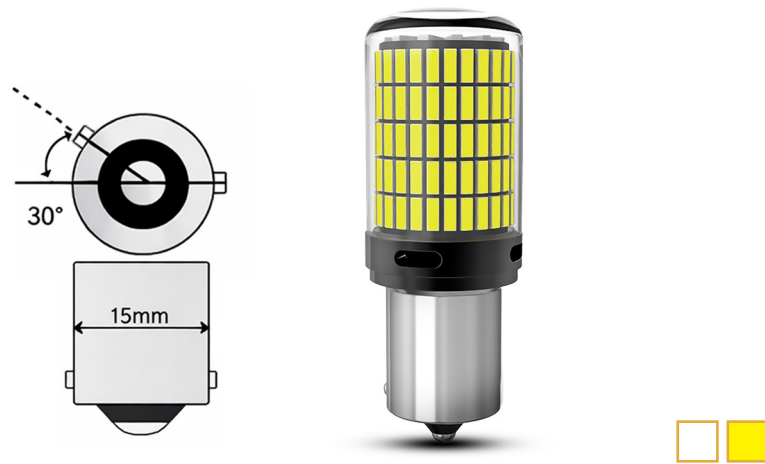
Lampu LED Signal Lamp tersedia dalam varian BA15S, BAU15S, 7440, 7443, 1157 yang digunakan untuk lampu mundur, sein, dan rem

1156 BAU15S 144-SMD 3014



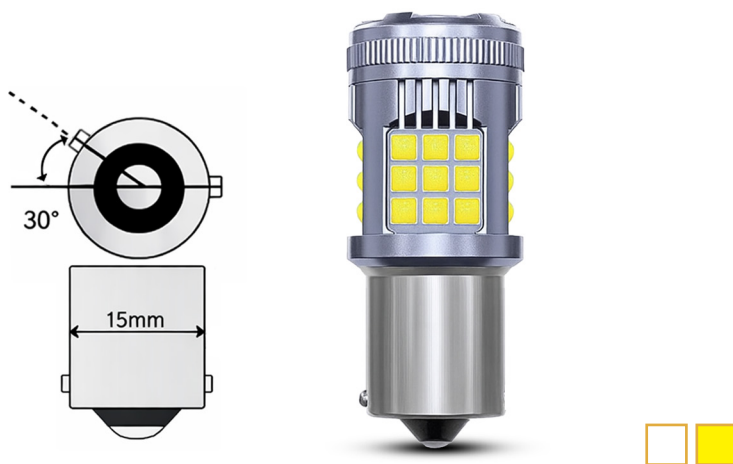
Volt	DC 12-24V	Function	Signal Lamp, Reverse Lamp
Power	21W	Size	∅ 20 mm x 57 mm
Ampere	1.75A	Body	Alluminium ; Glass
Chip	SMD-3014	CANbus	YES

1156 BAU15S 150-SMD 4014



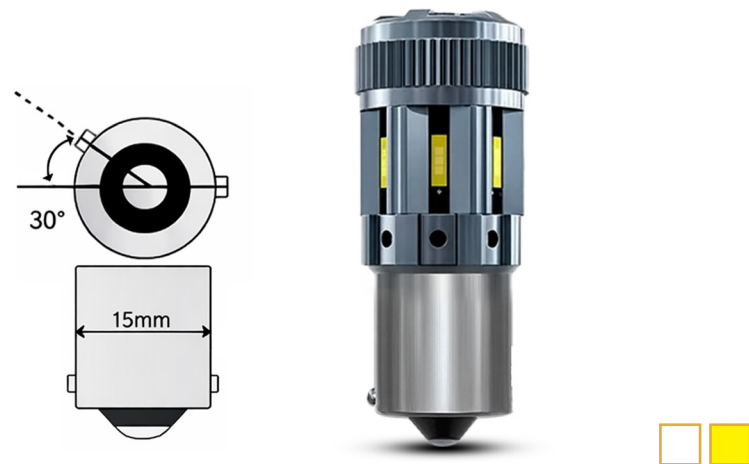
Volt	DC 12-36V	Function	Signal Lamp, Reverse Lamp
Power	23W	Size	∅ 20 mm x 57 mm
Ampere	1.91A	Body	Alluminium ; Glass
Chip	SMD-4014	CANbus	YES

1156 BAU15S 36-SMD 3030G FAN



Volt	DC 12-30V	Function	Signal Lamp, Reverse Lamp
Power	32W	Size	∅ 20 mm x 51 mm
Ampere	2.67A	Body	Alluminium ; Fan
Chip	SMD-3030G	CANbus	Yes

1156 BAU15S 6-CSP 1860 FAN

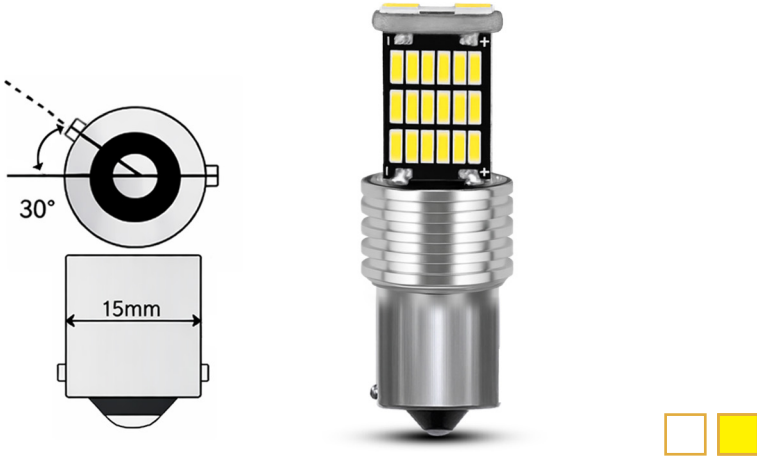


Volt	DC 12-24V	Function	Signal Lamp, Reverse Lamp
Power	27W	Size	∅ 21 mm x 51 mm
Ampere	2.25A	Body	Alluminium ; Fan
Chip	CSP-1860	CANbus	Yes

LED SIGNAL LAMP

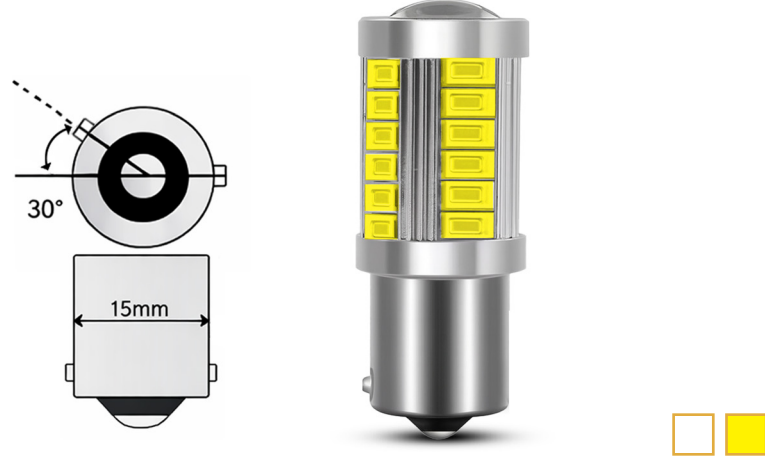
Lampu LED Signal Lamp tersedia dalam varian BA15S, BAU15S, 7440, 7443, 1157 yang digunakan untuk lampu mundur, sein, dan rem

1156 BAU15S 45-SMD 4014



Volt	DC 12-24V	Function	Signal Lamp, Reverse Lamp
Power	5W	Size	∅ 18 mm x 52 mm
Ampere	0.42A	Body	Alluminium
Chip	SMD-4014	CANbus	No

1156 BAU15S 33-SMD 5630



Volt	DC 12V	Function	Signal Lamp, Reverse Lamp
Power	3W	Size	∅ 18 mm x 52 mm
Ampere	0.25A	Body	Alluminium
Chip	SMD-5630	CANbus	No

LED SIGNAL LAMP

Lampu LED Signal Lamp tersedia dalam varian BA15S, BAU15S, 7440, 7443, 1157 yang digunakan untuk lampu mundur, sein, dan rem

T20 7440 144-SMD 3014



Volt	DC 12-24V	Function	Signal Lamp, Reverse Lamp
Power	21W	Size	Ø 20 mm x 58 mm
Ampere	1.75A	Body	Alluminium ; Glass
Chip	SMD-3014	CANbus	YES

T20 7440 150-SMD 4014



Volt	DC 12-36V	Function	Signal Lamp, Reverse Lamp
Power	23W	Size	Ø 20 mm x 60 mm
Ampere	1.91A	Body	Alluminium ; Glass
Chip	SMD-4014	CANbus	YES

T20 7440 36-SMD 3030G FAN



Volt	DC 12-30V	Function	Signal Lamp, Reverse Lamp
Power	32W	Size	Ø 20 mm x 55 mm
Ampere	2.67A	Body	Alluminium ; Fan
Chip	SMD-3030G	CANbus	Yes

T20 7440 6-CSP 1860 FAN

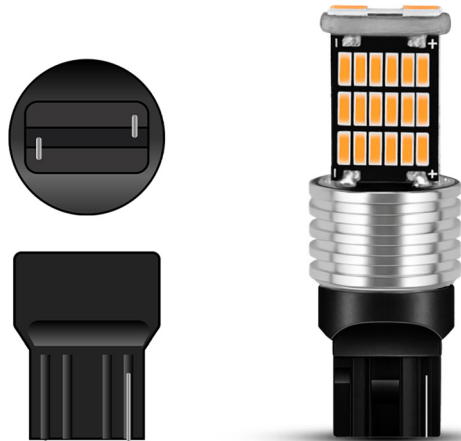


Volt	DC 12-24V	Function	Signal Lamp, Reverse Lamp
Power	27W	Size	Ø 21 mm x 55 mm
Ampere	2.25A	Body	Alluminium ; Fan
Chip	CSP-1860	CANbus	Yes

LED SIGNAL LAMP

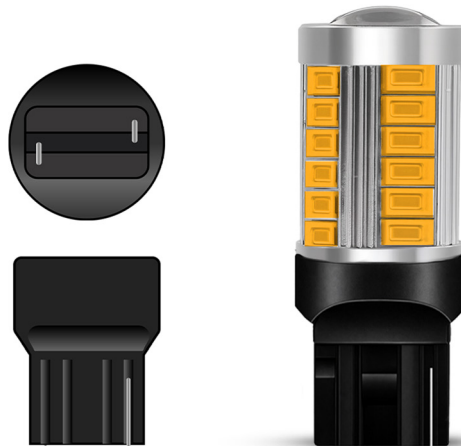
Lampu LED Signal Lamp tersedia dalam varian BA15S, BAU15S, 7440, 7443, 1157 yang digunakan untuk lampu mundur, sein, dan rem

T20 7440 45-SMD 4014



Volt	DC 12-24V	Function	Signal Lamp, Reverse Lamp
Power	5W	Size	∅ 18 mm x 52 mm
Ampere	0.42A	Body	Alluminium
Chip	SMD-4014	CANbus	No

T20 7440 33-SMD 5630

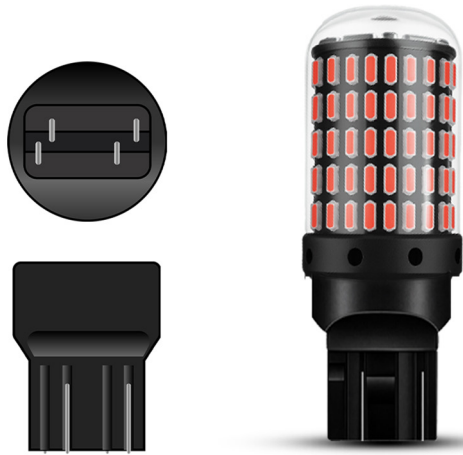


Volt	DC 12V	Function	Signal Lamp, Reverse Lamp
Power	3W	Size	∅ 18 mm x 60 mm
Ampere	0.25A	Body	Alluminium
Chip	SMD-5630	CANbus	No

LED SIGNAL LAMP

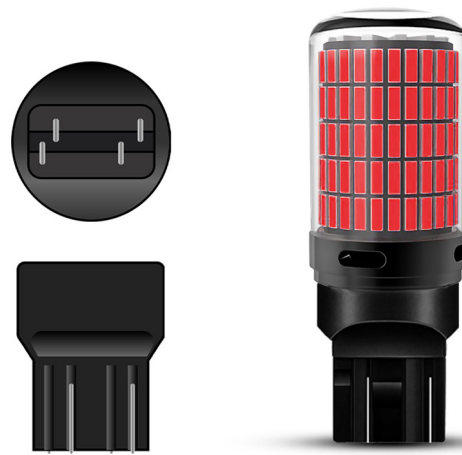
Lampu LED Signal Lamp tersedia dalam varian BA15S, BAU15S, 7440, 7443, 1157 yang digunakan untuk lampu mundur, sein, dan rem

T20 7443 144-SMD 3014



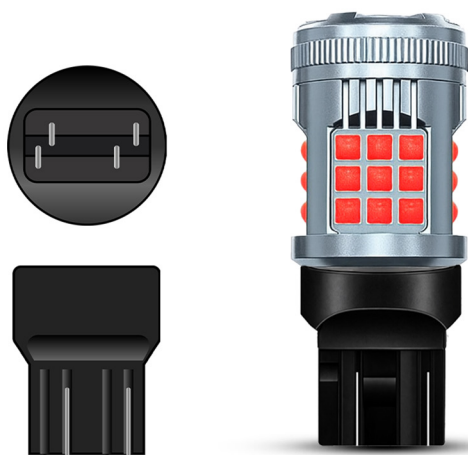
Volt	DC 12-24V	Function	Brake Lamp
Power	3W/11W	Size	∅ 20 mm x 58 mm
Ampere	1A	Body	Alluminium ; Glass
Chip	SMD-3014	CANbus	YES

T20 7443 150-SMD 4014



Volt	DC 12-36V	Function	Brake Lamp
Power	3W/7W	Size	∅ 20 mm x 60 mm
Ampere	0.6A	Body	Alluminium ; Glass
Chip	SMD-4014	CANbus	YES

T20 7443 36-SMD 3030G FAN



Volt	DC 12-30V	Function	Brake Lamp
Power	7W/20W	Size	∅ 20 mm x 55 mm
Ampere	1.7A	Body	Alluminium ; Fan
Chip	SMD-3030G	CANbus	Yes

T20 7443 6-CSP 1860 FAN

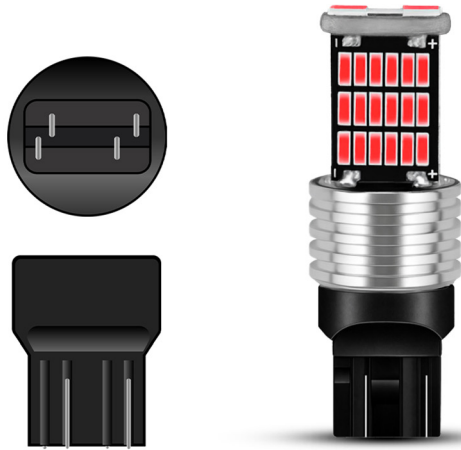


Volt	DC 12-24V	Function	Brake Lamp
Power	6W/18W	Size	∅ 21 mm x 55 mm
Ampere	1.5A	Body	Alluminium ; Fan
Chip	CSP-1860	CANbus	Yes

LED SIGNAL LAMP

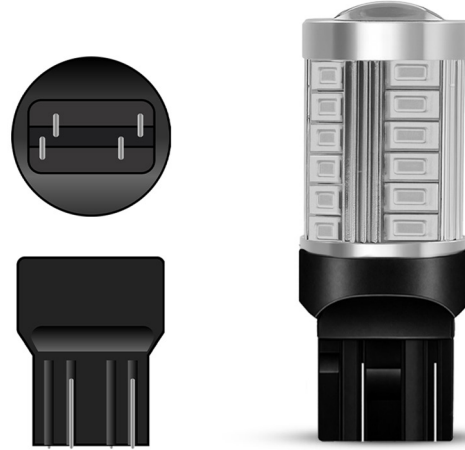
Lampu LED Signal Lamp tersedia dalam varian BA15S, BAU15S, 7440, 7443, 1157 yang digunakan untuk lampu mundur, sein, dan rem

T20 7443 45-SMD 4014



Volt	DC 12-24V	Function	Brake Lamp
Power	2W/5W	Size	∅ 18 mm x 52 mm
Ampere	0.5A	Body	Alluminium
Chip	SMD-4014	CANbus	No

T20 7443 33-SMD 5630

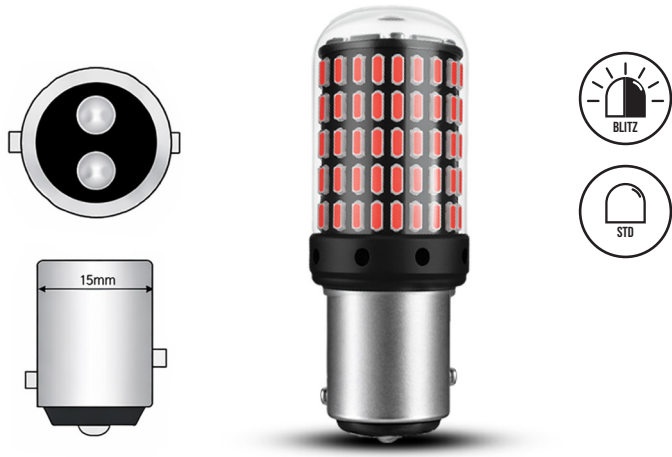


Volt	DC 12V	Function	Brake Lamp
Power	1W/3W	Size	∅ 18 mm x 60 mm
Ampere	0.25A	Body	Alluminium
Chip	SMD-5630	CANbus	No

LED SIGNAL LAMP

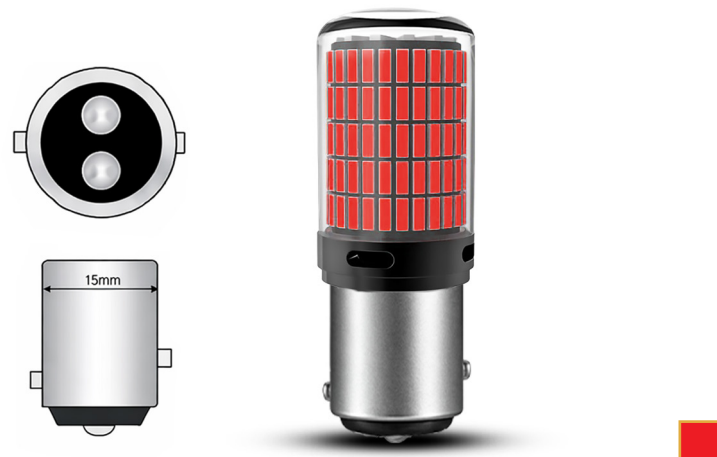
Lampu LED Signal Lamp tersedia dalam varian BA15S, BAU15S, 7440, 7443, 1157 yang digunakan untuk lampu mundur, sein, dan rem

1157 BAY15D 144-SMD 3014



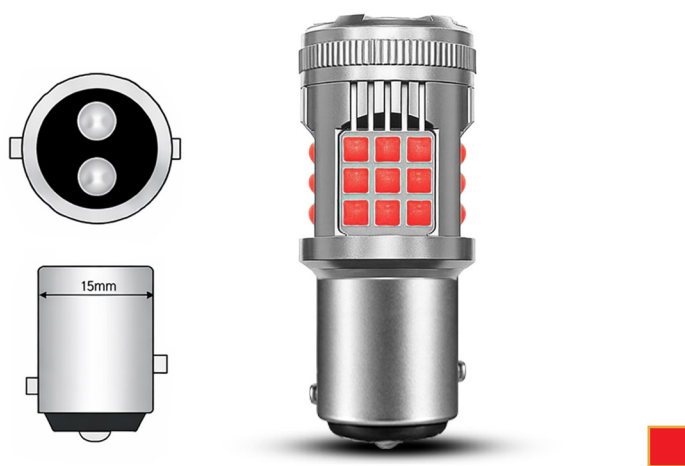
Volt	DC 12-24V	Function	Brake Lamp
Power	3W/11W	Size	∅ 20 mm x 57 mm
Ampere	1A	Body	Alluminium ; Glass
Chip	SMD-3014	CANbus	YES

1157 BAY15D 150-SMD 4014



Volt	DC 12-36V	Function	Brake Lamp
Power	3W/7W	Size	∅ 20 mm x 57 mm
Ampere	0.6A	Body	Alluminium ; Glass
Chip	SMD-4014	CANbus	YES

1157 BAY15D 36-SMD 3030G FAN



Volt	DC 12-30V	Function	Brake Lamp
Power	7W/20W	Size	∅ 20 mm x 51 mm
Ampere	1.7A	Body	Alluminium ; Fan
Chip	SMD-3030G	CANbus	Yes

1157 BAY15D 6-CSP 1860 FAN

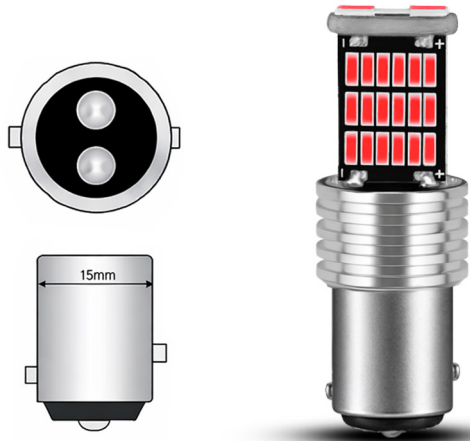


Volt	DC 12-24V	Function	Brake Lamp
Power	6W/18W	Size	∅ 21 mm x 51 mm
Ampere	1.5A	Body	Alluminium ; Fan
Chip	CSP-1860	CANbus	Yes

LED SIGNAL LAMP

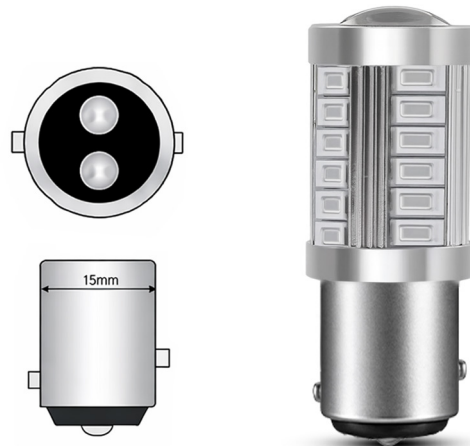
Lampu LED Signal Lamp tersedia dalam varian BA15S, BAU15S, 7440, 7443, 1157 yang digunakan untuk lampu mundur, sein, dan rem

1157 BAY15D 45-SMD 4014



Volt	DC 12-24V	Function	Brake Lamp
Power	2W/5W	Size	∅ 18 mm x 52 mm
Ampere	0.5A	Body	Alluminium
Chip	SMD-4014	CANbus	No

1157 BAY15D 33-SMD 5630



Volt	DC 12V	Function	Brake Lamp
Power	1W/3W	Size	∅ 18 mm x 52 mm
Ampere	0.25A	Body	Alluminium
Chip	SMD-5630	CANbus	No